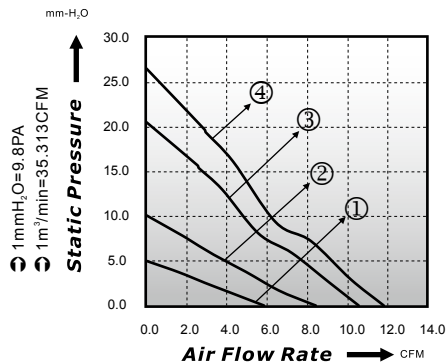


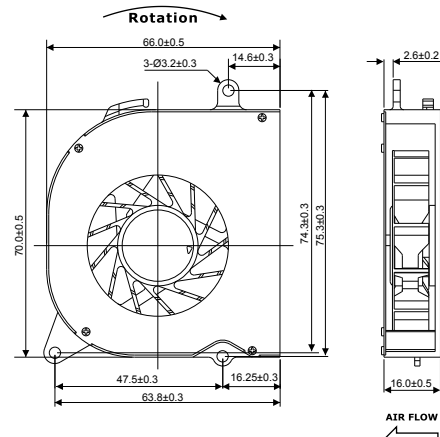
70x70x16mm

### ■ P-Q Curve (At Rated Voltage)



### ■ Dimensions Drawing

Unit: (mm)



Model No	Bearing (*)	Rated Voltage (VDC)	Rated Current (A)	Power Consumption (Watts)	Speed (rpm)	Air Flow (CFM)	Static Pressure (mmH <sub>2</sub> O)	Noise (dBA)	Curve
EBD07016-12L*	○ ● ⊖	12	0.15	1.80	2500	5.82	5.08	22.5	1
EBD07016-12M*	○ ● ⊖	12	0.25	3.00	3500	8.39	10.20	31.5	2
EBD07016-12H*	○ ● ⊖	12	0.40	4.80	4500	10.56	20.60	39.4	3
EBD07016-12HH*	○ ● ⊖	12	0.60	7.20	5000	11.78	26.63	43.0	4

\* Bearing Type: ○ Sleeve    ● Two Ball    ⊖ Hydro-Dynamic